

**Materials of Construction**

CASING	ACI-CF-8M
REAR CASING	AISI316
IMPELLER	ACI-CF-8M
MAGNET COUPLING	AISI316
SHAFT	AISI316
BEARING	SIC/SIC-D
GASKET	PTFE

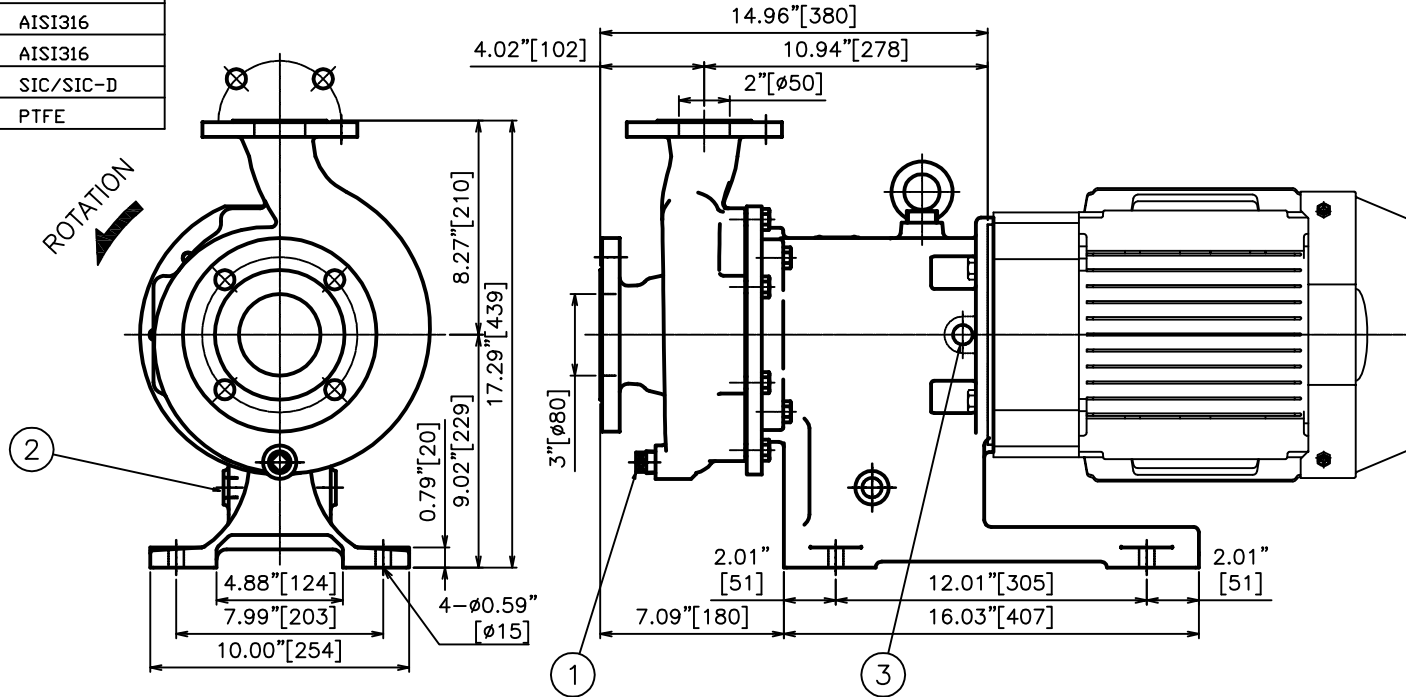
REVISIONS			
REV	DESCRIPTION	DATE	APPROVED
A	RELEASED	5/24/2018	CJC

A

B

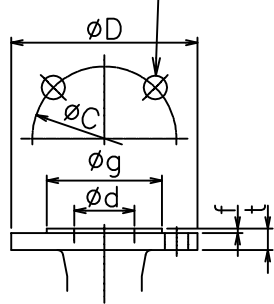
C

D



**BOLT HOLES**

$n-\phi h$





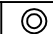
**FLANGE DIMENSIONS \* SMOOTH FINISH (mm)**

RATING		SIZE(d)	D	t	f	g	C	n	h
ASME 150lb RF	SUCTION	3"	7.50" [190]	0.75" [19.1]	0.06" [1.6]	5.00" [127]	6.00" [152.4]	4	0.75" [19]
	DISCHARGE	2"	6.00" [152]	0.62" [15.8]	0.06" [1.6]	3.62" [91.9]	4.75" [120.6]	4	0.75" [19]

MOTOR	
FRAME SIZE	OUTPUT (HP)
182TC	5
184TC	5
213TC	7 1/2
215TC	10
254TC	15
256TC	20

**NOTES:**

1. CASING DRAIN ; NPT1/2 (PLUG)
2. FRAME ADAPTER DRAIN ; NPT1/2 (OPEN)
3. CONNECTION ; NPT1/2 (PLUG)
4. DRAWN PER MP8515-180-A-XA; MP8515-210-A-XA; MP8515-250-A-XA
5. SOME FEATURES MAY VARY SLIGHTLY.

<p><b>PROPRIETARY</b></p> <p>THIS DRAWING CONTAINS CONFIDENTIAL INFORMATION PROPRIETARY TO IWAKI AMERICA. IT MUST NOT BE REPRODUCED OR FORWARDED TO OTHERS OR USED IN ANY OTHER WAY, IN WHOLE OR IN PART, UNLESS AUTHORIZED IN WRITING BY IWAKI AMERICA.</p>		<p><b>TOLERANCES</b></p> <p>DIMENSIONS IN INCHES OMD</p> <p>UNLESS OTHERWISE NOTED</p> <p>X = .050</p> <p>.XX = .010</p> <p>.XXX = .00</p> <p>DEBURR AND BREAK ALL SHARP EDGES</p>		<p><b>IWAKI</b> </p> <p><b>SANWA PUMP</b> </p> <p>www.lwakiAmerica.com</p>	
		<p>5 Boynton Rd. Hopping Brook Park Holliston, MA 01746 (508) 429-1440</p>			
MATERIAL		SEE CHART		DESCRIPTION	
BY	DATE	SIZE	DWG NO.	REV	
JP	5/24/2018	B	SWD-00114	A	
APPROVED	DATE	SCALE:	THIRD ANGLE PROJECTION	SHEET:	
CJC	5/24/2018	FULL		1 OF 1	

4

3

2

1